



Corporate News

Our pledge to you.

As part of the Lake District Hotels group, here at the George Hotel, we pride ourselves on our commitment to service, quality of local produce and comfortable well appointed surroundings.

This commitment applies to all our guests, ensuring you a successful event whatever the occasion.

Our dedicated sales team will detail all your requirements to ensure your event runs smoothly, just as you planned.

On the day, you will be allocated a named member of staff to deal with any requests during the day.

In the unlikely event that you feel we have fallen short of our high standards, our General Manager will fully investigate your feedback.

We hope this pledge provides you with further confidence to use our hotels for future events and we look forward to seeing you at the George Hotel, Penrith, soon.

Flexible Room Hire

Our conference rooms are also available to hire for part of the day or as exhibition space for longer periods – please ask for rates.

Need to stay longer? We have fantastic midweek accommodation rates from £60.

Twin/Double from £60.00pp*

Double for single occupancy from £80.00pp*

*Inclusive of Full Cumbrian breakfast and VAT



Location, Location, Location...



Few hotels can offer the unique position of the George Hotel, where the old world charm of this 300 year old Grade II listed building is complemented by first class modern accommodation and conference facilities. One of the hotels best features is its location, in the heart of the traditional market town of Penrith yet only minutes from the M6 motorway, A6 and A66, and 5 minutes walk from Penrith train station.



Day delegate rate

from £35 + VAT

- Room Hire
- Dedicated Staff Member
- Tea/Coffee on arrival
- Water, Cordials and Sweets
- Mid morning Tea/Coffee with homemade flapjack & butter croissants
- Two Course Buffet Lunch with Tea/Coffee
- Mid-afternoon Tea/Coffee with scones & cream
- Fruit Basket with all breaks
- LCD/Data Projector & Projector Screen
- Flipchart/Whiteboard and Pens
- Conference Stationery



FACILITIES AT A GLANCE

- 35 bedrooms including suites and 4 poster bedroom
- Several conference and syndicate rooms catering for up to 120 delegates
- Easily accessible from M6 motorway Jct 40 and Penrith train station
- Secure Free Car Parking
- Free unlimited wireless broadband internet access

24 hour delegate rate

from £125 + VAT

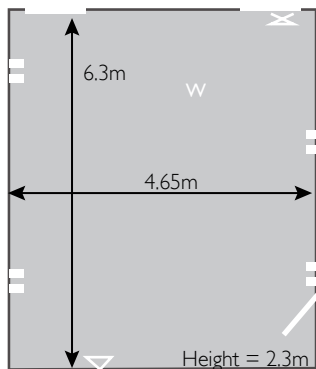
The day delegate package PLUS:

- Three Course Dinner
- Single, Twin or Double Accommodation
- Complimentary accommodation for partner (meals not included)
- Superior room upgrade for the Trainer or Course Leader
- Full Cumbrian Breakfast

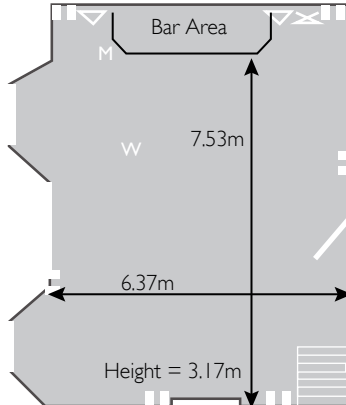
Venue suitable for many events

- Exhibitions • Product Launches • Corporate Entertaining • Conferences • Christmas Parties • Celebrations •

The Cottage Suite

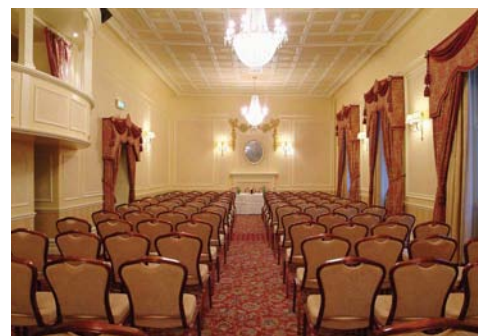
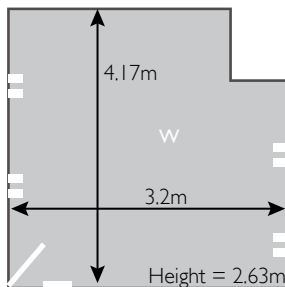


The Regency Suite



Conference Room Layouts

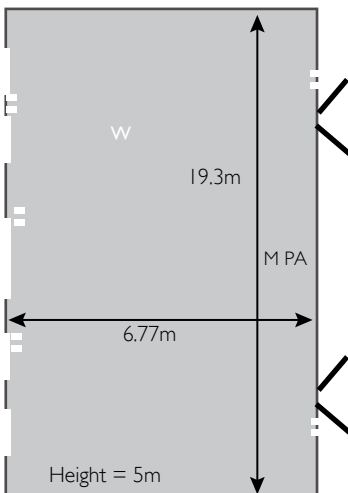
The Business Centre



SUITE	LUNCH/DINNER	THEATRE	CLASSROOM	BOARDROOM	DAYLIGHT	LOCATION
Ballroom	120	150	80	50	YES	1 ST Floor
Regency	36	50	20	20	YES	1 ST Floor
Cottage	20	20	12	18	YES	Ground Floor
Business Centre				6	YES	Ground Floor

KEY	
□	13 amp sockets
⊗	TV Socket
▽	Phone Socket
M	Microphone
PA	Public Address
W	WiFi

The Ballroom



The Cottage Suite can accommodate comfortably 18 delegates Boardroom or 12 delegates U-shape, 20 Theatre, 8 Classroom, this room also has wireless access.

The Regency Suite can accommodate 20 delegates Boardroom or U-shape, 40 Theatre, 24 Cabaret, 16 Classroom. This room also has wireless broadband access.

The Business Centre is a very comfortably furnished room with a dedicated PC, natural daylight. Ideal for 1 to 1 meetings or for smaller informal discussions. This room can accommodate between 4 – 8 delegates dependent on room layout.

The Ballroom can accommodate up to 150 delegates Theatre Style and is also suitable for Boardroom, Classroom or Cabaret style set-ups for 20 - 80 delegates. The room also benefits from the following features:

- Natural Light with Full Blackout Facility
- Controllable Lighting
- Sound System with PA & wireless microphone
- Wireless Broadband
- Disabled Access

WORKING LUNCH

We can bespoke Menus for any requirement, speak with one of our events team to tailor a package for you.



HOT & COLD BUFFET LUNCH

The food & service at the George is second to none, and we guarantee your delegates will leave impressed. Celebration menus can also be created.

Work or Play in the Lake District



Whatever the event - be it a corporate entertainment day, team building or just a break from the routine of a conference. We can help you organise any manner of activities - including leadership and personal development courses.

The outdoor activities can include a variety of challenging pursuits - ranging from ghyll scrambling, abseiling, canoeing, kayaking, and motorised activities - or perhaps try something more relaxing, such as a spot of falconry or a Lake cruise on Ullswater with champagne and canapes.

How to Find Us

From the M6

Leave the motorway at Junction 40, at the roundabout take the exit to Penrith A592. Follow the road for one and a half miles through the one way system along the main shopping route (20 mile per hour zone), turn left after the traffic lights into Burrowgate, the Hotel car park entrance archway is approximately 100 yards on the right.

From the A66 & A6

Follow the A66 until you meet the main M6 Junction 40 roundabout, follow the previous instructions.